



FEATURES

- ★ Alluminium alloy, St. Steel, Brass, Nylon material.
- ★ Inbuilt flange clamping or Set screw clamping
- ★ Angular offset upto 5 degrees
- ★ Parallel offset upto 0.2 mm
- ★ No Backlash
- ★ Constant velocity transmission
- ★ Torsionally stiff
- ★ One piece construction

Applications

- ★ Shaft Encoder.
- ★ Tachogenerator.
- ★ Potentiometers & Variacs.
- ★ Stepper & synchronous motor.
- ★ Damper Drives.
- ★ Rotary position transmitter

Options

- ★ Different Dia & Bore sizes
- ★ Higher torsional Versions
- ★ Different materials

This shaft coupling connects two shaft to transmit torque, motion etc. It is a coupling which can adjust itself to misalignment of two shafts connected by it. Misalignment may be angular, parralle or skew. when motion transmission is important, the misalignment should not affect the velocity & acceleration of the shaft. This calls for a torsionally rigid, yet flexible coupling. This coupling offer you this advantage using special machining processes. Given in this leaflet are verious couplings used in listed applications.

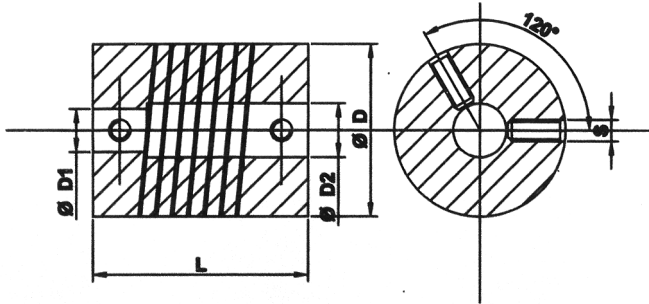
B.V. Transmission Industries

Unit 18 , Khyati Industrial Estate,
Laxmi Nagar, Link Road , Goregaon West,
Mumbai - 400104, Maharashtra , India

Tel : +91- 22-28762345
Tel : +91- 22-28767941
☎ : +91- 93247 18035
☎ : +91- 98206 92004

email :: sales@bvchains.com
bvchain@gmail.com
web:: www.bvchains.com

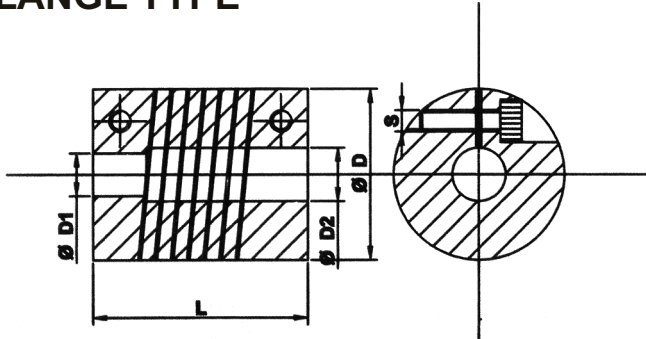
SCREW TYPE



D	S	L
14	M2	20
16	M2	24
20	M3	28
25	M4	32
32	M4	40

TABLE 1

FLANGE TYPE



D	S	L
14	M2	21
16	M2	25
20	M3	28
25	M4	32
32	M4	40

TABLE 2

Sr. No.	OD	D1	D2	LENGTH
01	20	6	6	28
02		6	6	
03		8	8	
04		6	6.35	
05		6.35	6.35	
06	25	6	8	32
07		6	10	
08		8	8	
09		10	10	
10		6	9.6	
11		6	6.35	

B.V. Transmission Industries